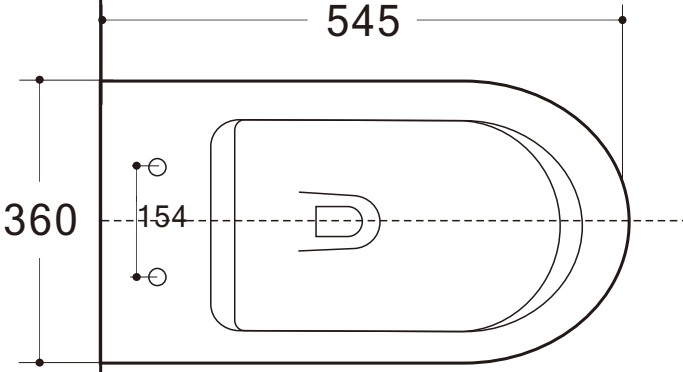
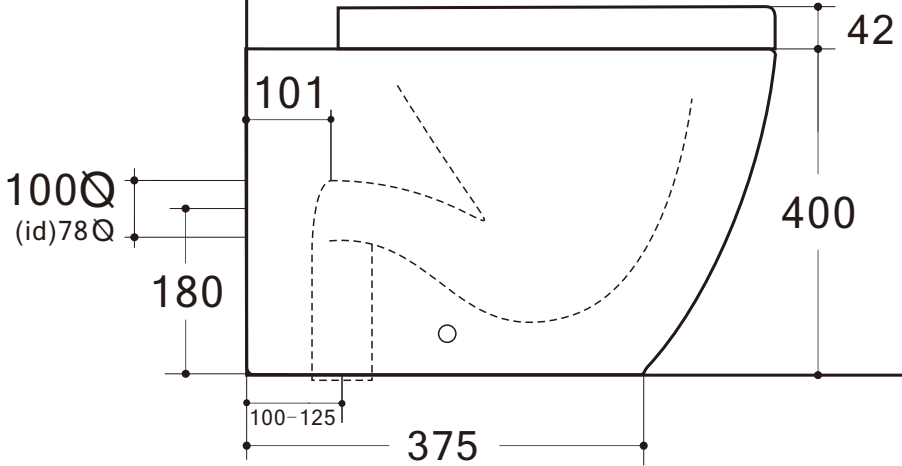


# BL-102N-FST

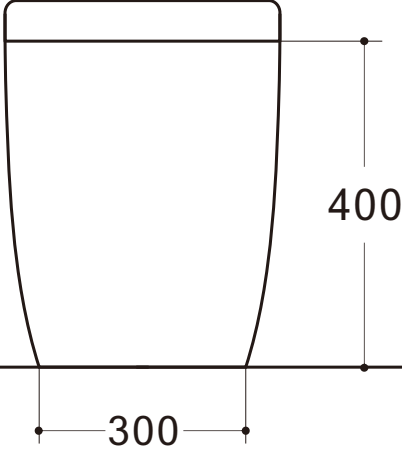
Finished wall



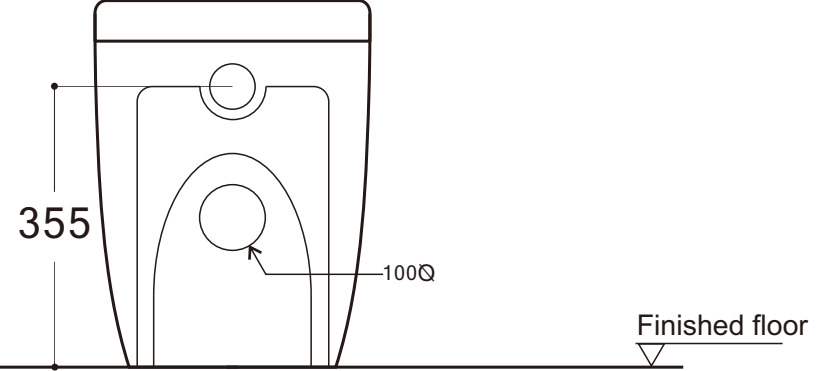
Top View



Side View



Front View



Rear View